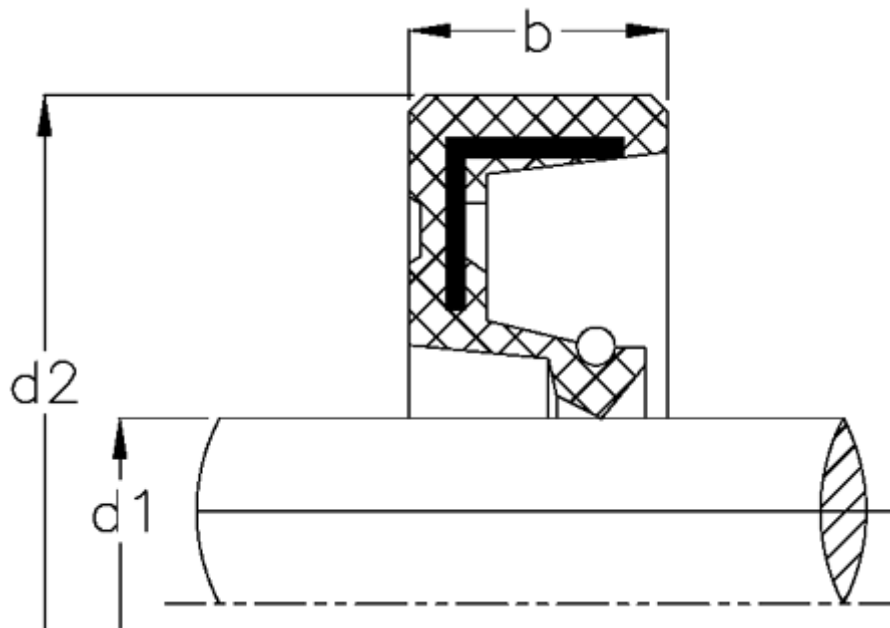


Article number: 170302500370070000

Description: KLEE Rotary shaft seal VIA 2537/7
FPM Fluor kautschuk

Measures



b	= 7
d1	= 25
d2	= 37
Material	= FPM